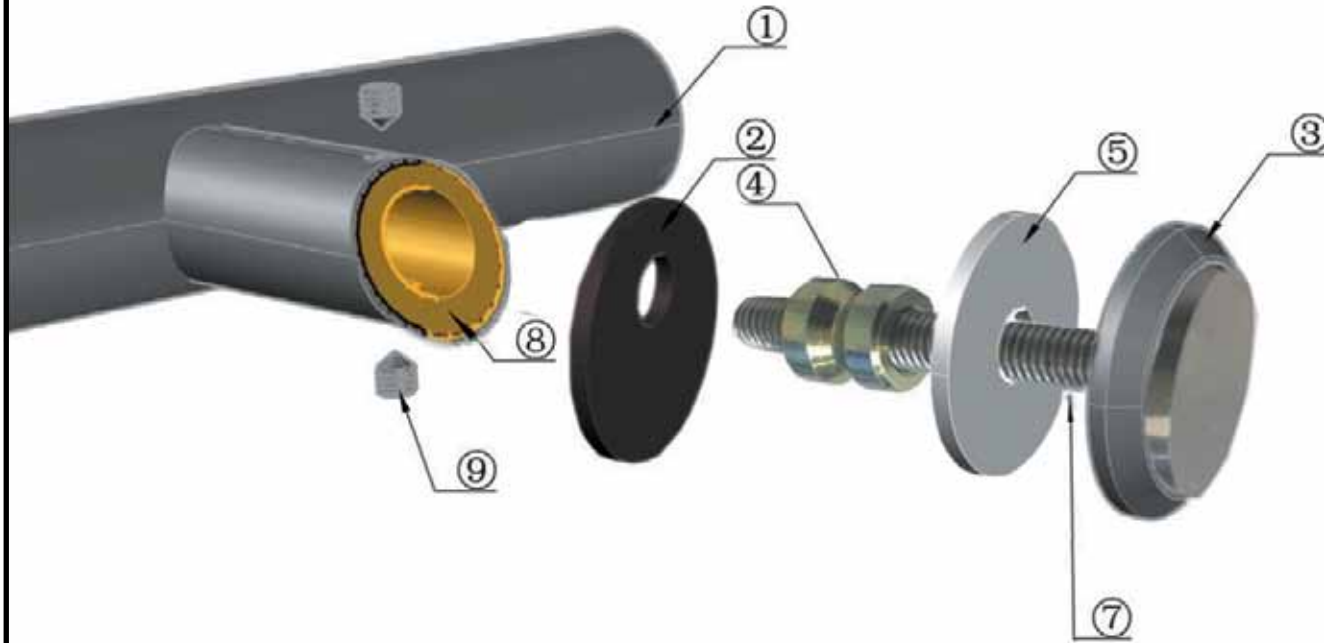


Dual Aspect Home Improvements Ltd



ITEM NO.	PART DESCRIPTION	QTY.	MATERIAL	FINISH
1	INTERNAL HANDLE	1	STAINLESS STEEL	BRUSHED
2	OFFSET BLACK GASKET	2	NYLON	RAW
3	BEVEL RING	2	STAINLESS STEEL	BRUSHED
4	SINGLE SIDED LOCKING NUT	2	STAINLESS STEEL	RAW
5	CLEAR GASKET	2	NYLON	RAW
6				
7	HANDLE FIXING SCREWS	2	STAINLESS STEEL	RAW
8	SCREW CHAMBER	2	COPPER	RAW
9	CLAMPING SCREWS	4	STAINLESS STEEL	RAW



01303 267805

orders@dualhomeimprovements.com

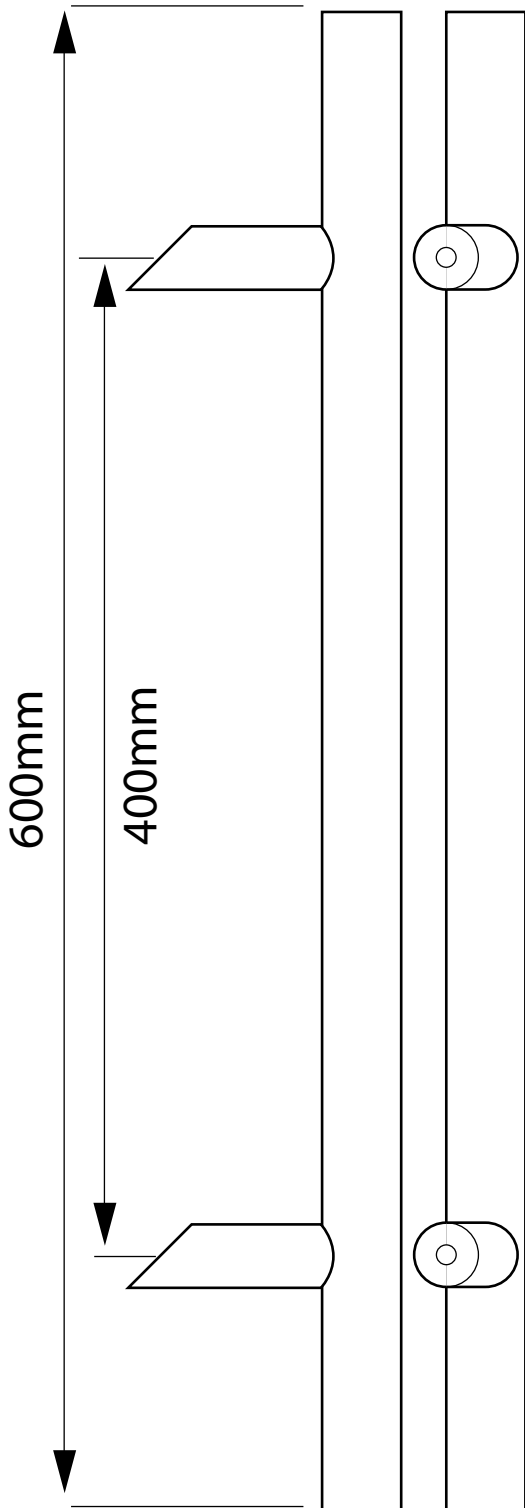
M002292

600mm Offset Round

Single

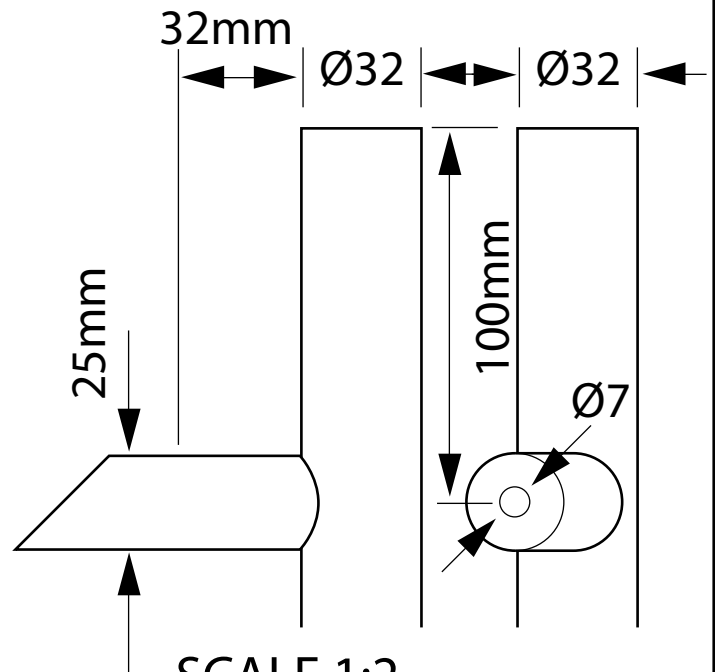
Weight 0.812kg

EXTERNAL



SCALE 1:3

EXTERNAL



SCALE 1:2



01303 267805
orders@dualhomeimprovements.com

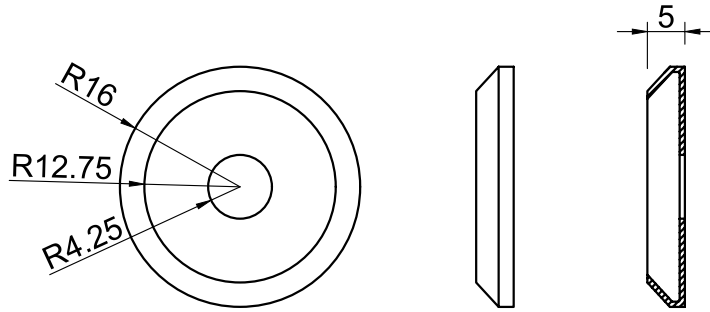
600mm Offset Round

Single

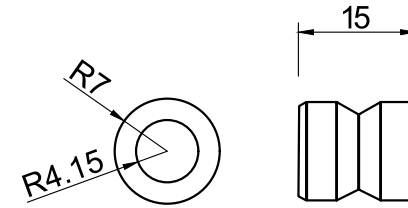
Weight 0.812kg

M002292

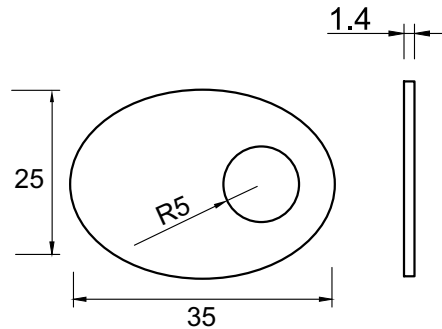
Item 3 Bevel Ring



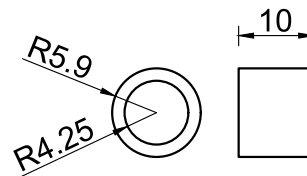
Item 4 Offset Locking Nut



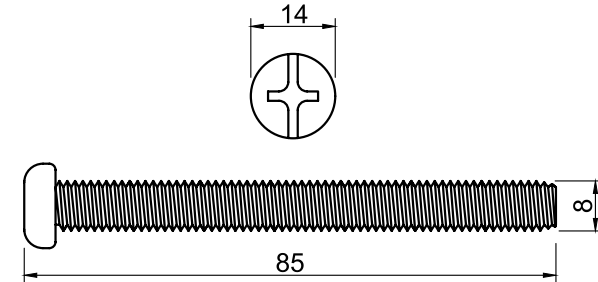
Item 5 Offset Gasket



Item 6 Spacer Ring



Item 7 Offset Handle Fixing Screws



Scale 1:1



01303 267805

orders@dualhomeimprovements.com

600mm Offset Round

Single

Weight 0.812kg

M002292