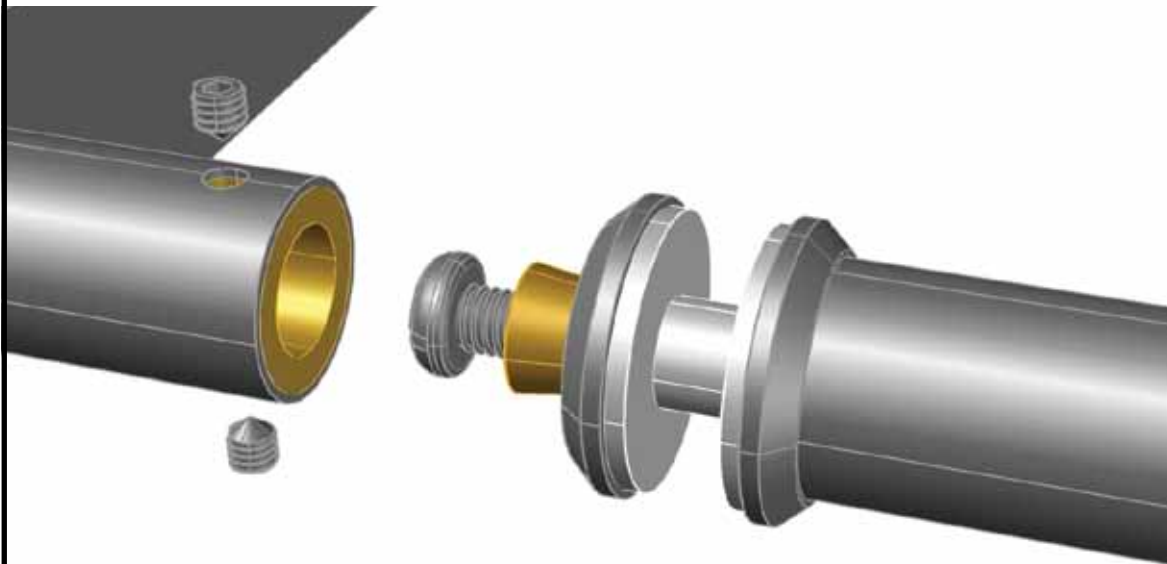
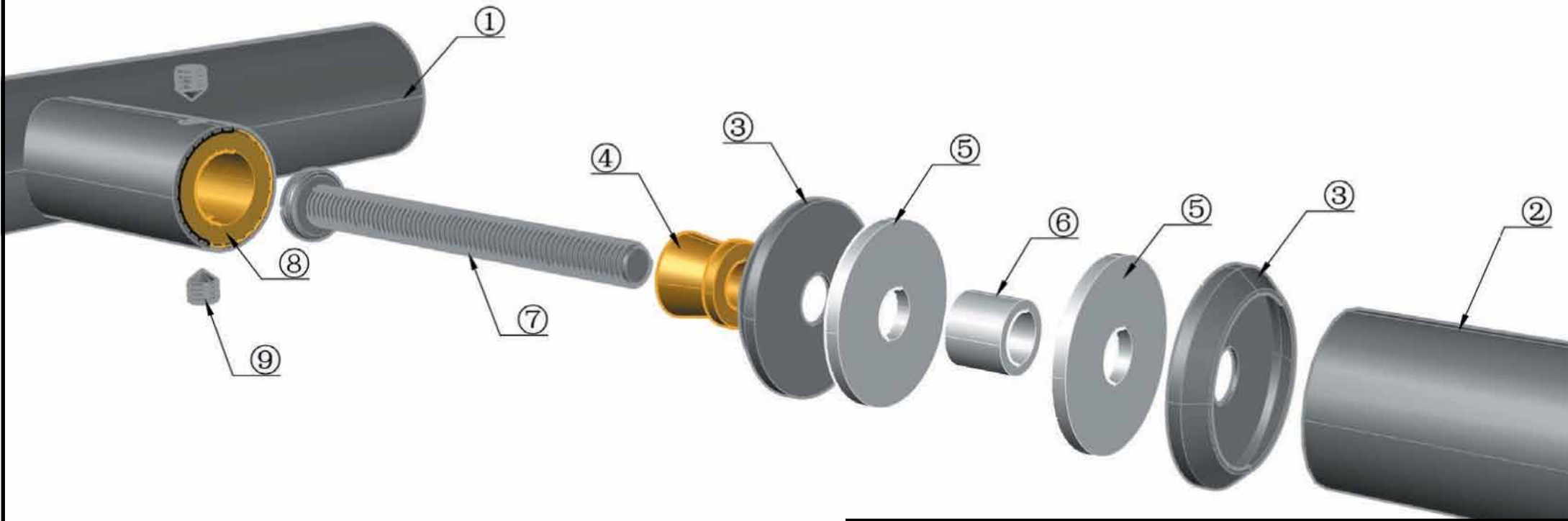


Dual Aspect Home Improvements Ltd



ITEM NO.	PART DESCRIPTION	QTY.	MATERIAL	FINISH
1	INTERNAL HANDLE	1	STAINLESS STEEL	BRUSHED
2	EXTERNAL HANDLE	1	STAINLESS STEEL	BRUSHED
3				
4	LOCKING NUT	2	COPPER	RAW
5	OFFSET BLACK GASKET	4	NYLON	RAW
6	SPACER RING	2	NYLON	RAW
7	HANDLE FIXING SCREWS	2	STAINLESS STEEL	RAW
8	SCREW CHAMBER	2	COPPER	RAW
9	CLAMPING SCREWS	4	STAINLESS STEEL	RAW



01303 267805

orders@dualhomeimprovements.com

M002230

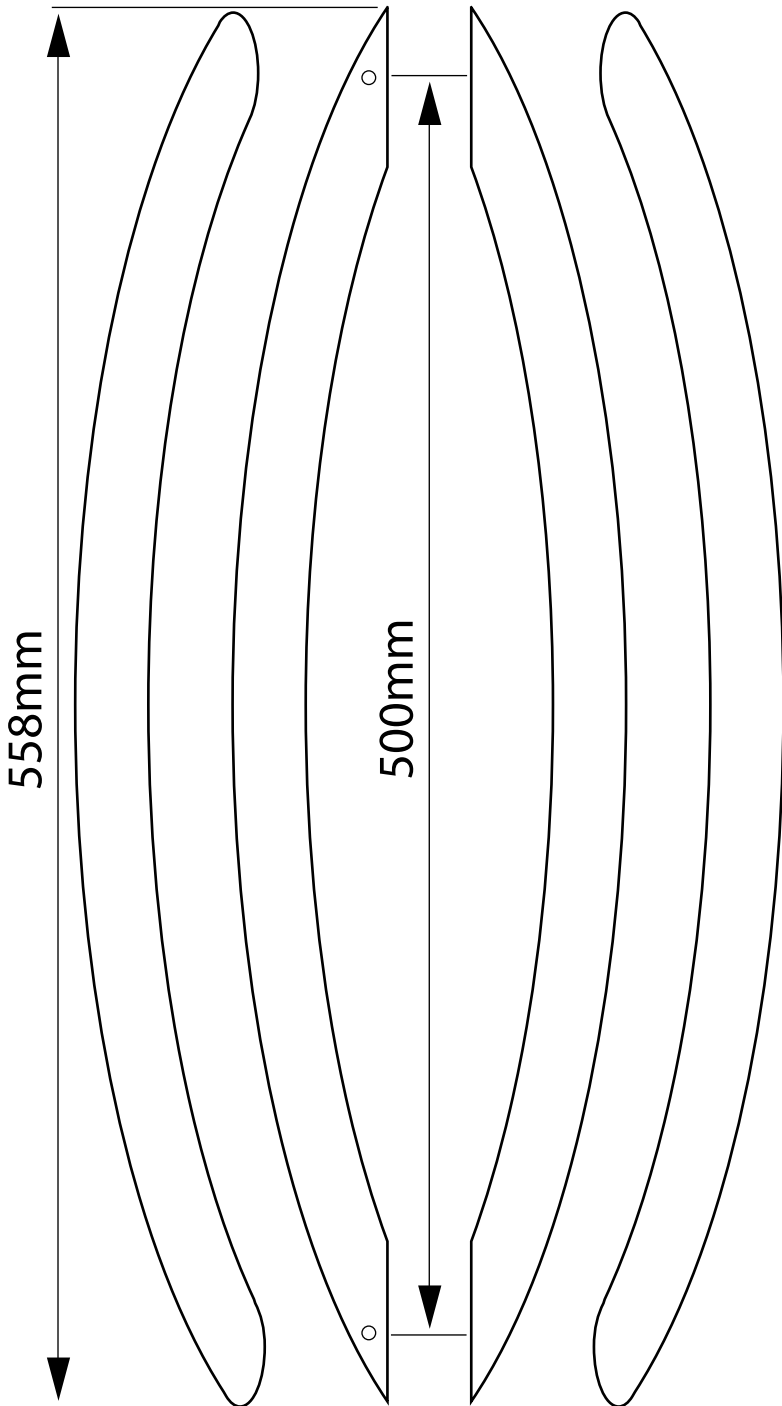
558mm Bow Handle

Back to back

Weight 1.5kg

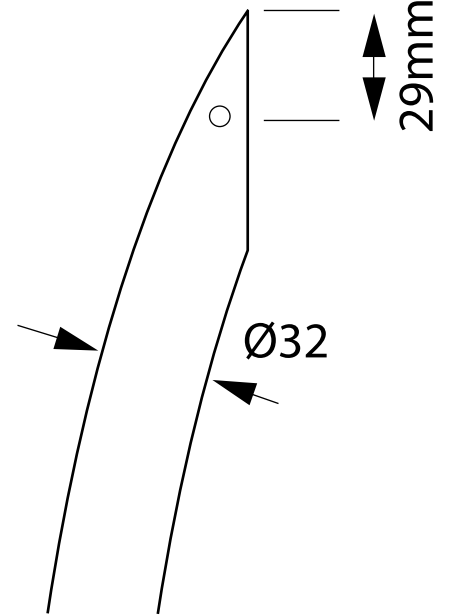
INTERNAL

EXTERNAL



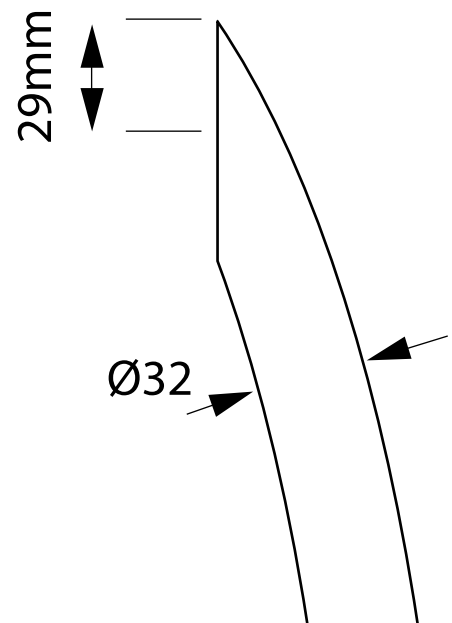
SCALE 1:3

INTERNAL



SCALE 1:2

EXTERNAL



SCALE 1:2



01303 267805

orders@dualhomeimprovements.com

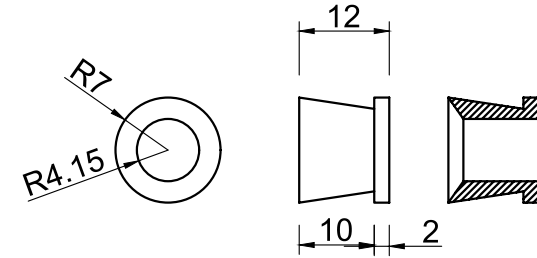
558mm Bow Handle

Back to back

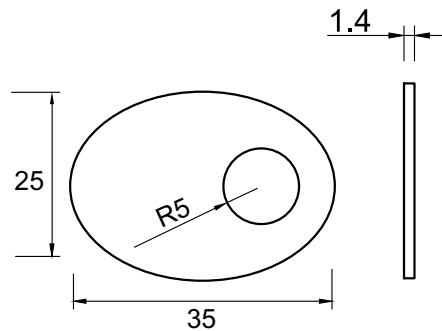
Weight 1.5kg

M002230

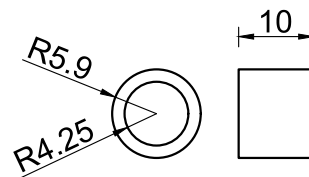
Item 4 Inline Locking Nut



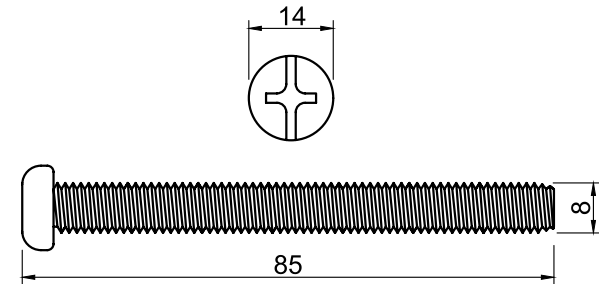
Item 5 Gasket



Item 6 Spacer Ring



Item 7 Inline Handle Fixing Screws



Scale 1:1



01303 267805

orders@dualhomeimprovements.com

558mm Bow Handle

Back to back

Weight 1.5kg

M002230