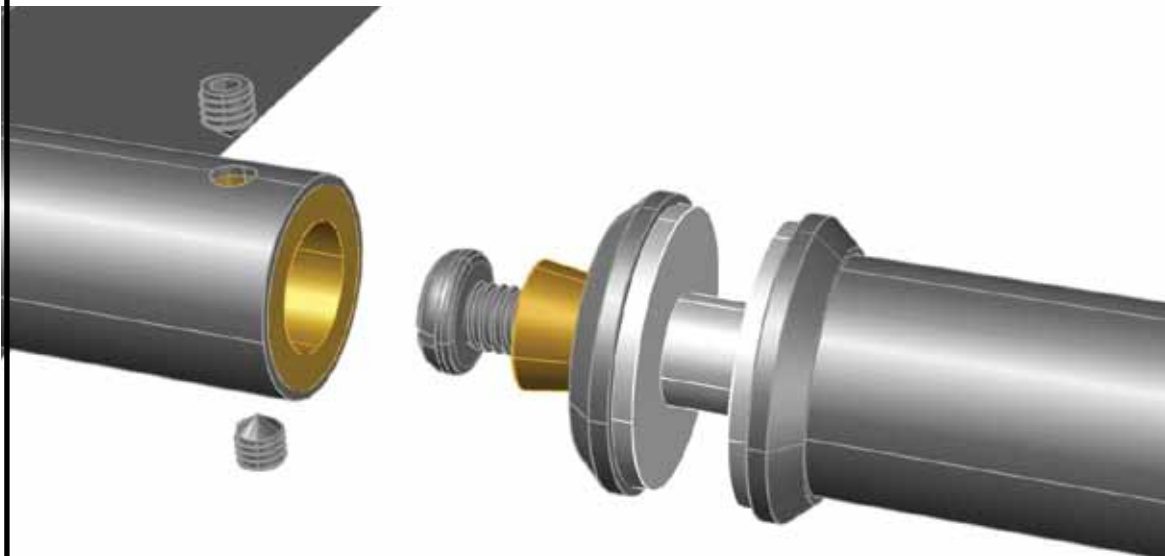
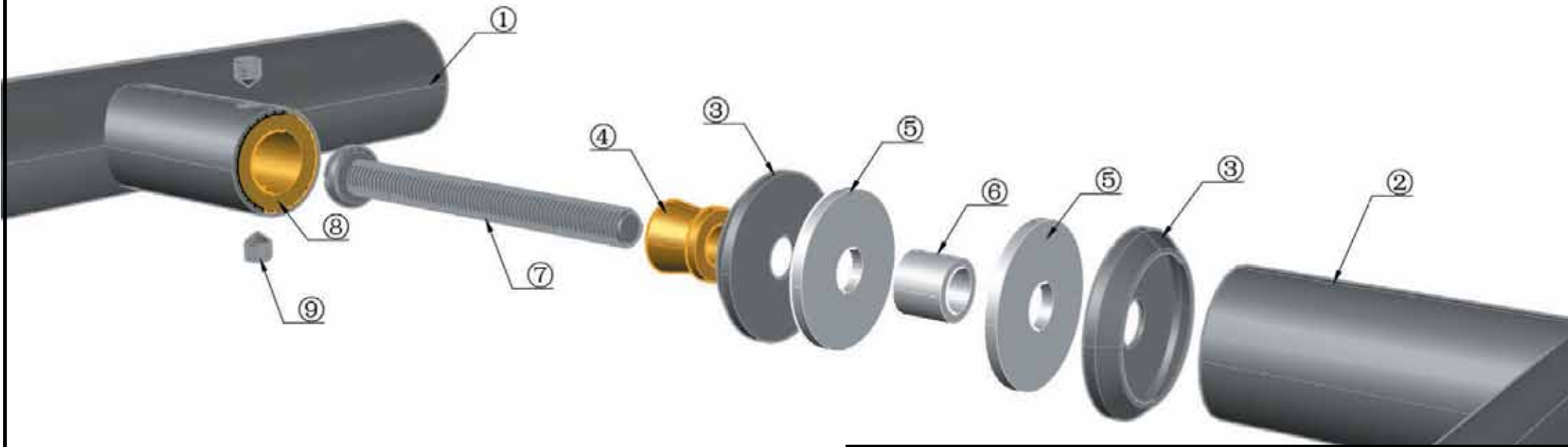


# Dual Aspect Home Improvements Ltd



| ITEM NO. | PART DESCRIPTION     | QTY. | MATERIAL        | FINISH  |
|----------|----------------------|------|-----------------|---------|
| 1        | INTERNAL HANDLE      | 1    | STAINLESS STEEL | BRUSHED |
| 2        | EXTERNAL HANDLE      | 1    | STAINLESS STEEL | BRUSHED |
| 3        | BEVEL RING           | 4    | STAINLESS STEEL | BRUSHED |
| 4        | INLINE LOCKING NUT   | 2    | COPPER          | RAW     |
| 5        | CLEAR GASKET         | 4    | NYLON           | RAW     |
| 6        | SPACER RING          | 2    | NYLON           | RAW     |
| 7        | HANDLE FIXING SCREWS | 2    | STAINLESS STEEL | RAW     |
| 8        | SCREW CHAMBER        | 2    | COPPER          | RAW     |
| 9        | CLAMPING SCREWS      | 4    | STAINLESS STEEL | RAW     |



01303 267805

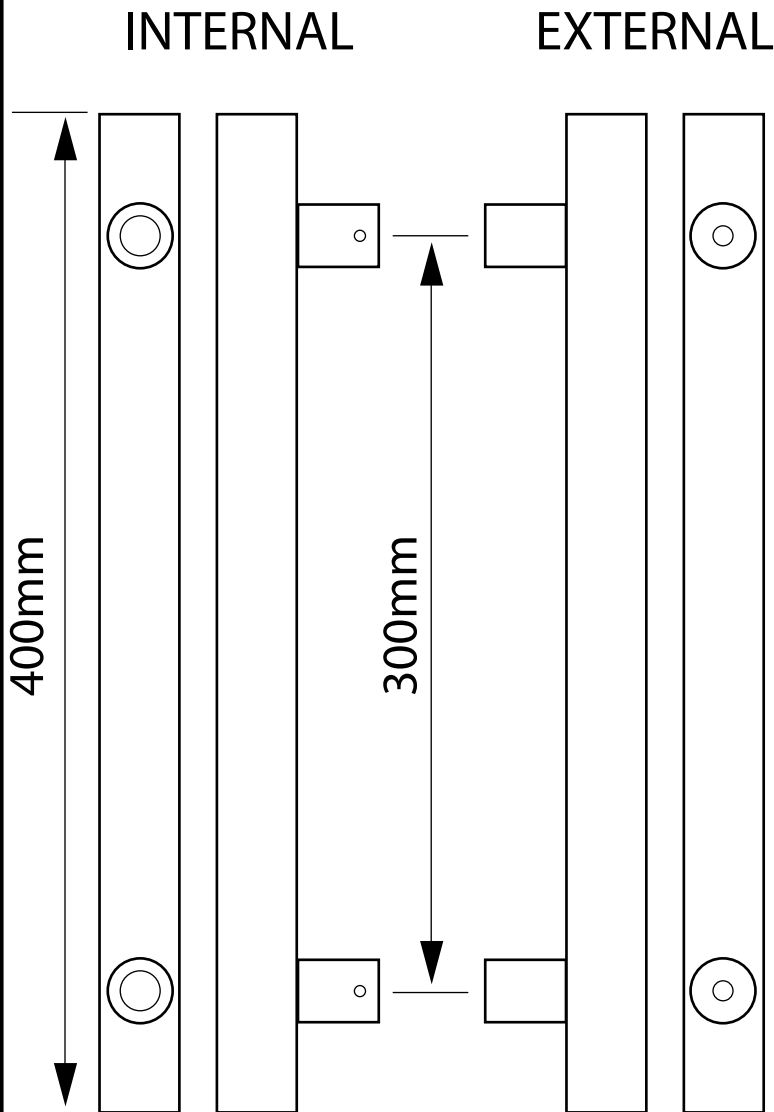
orders@dualhomeimprovements.com

**M001911**

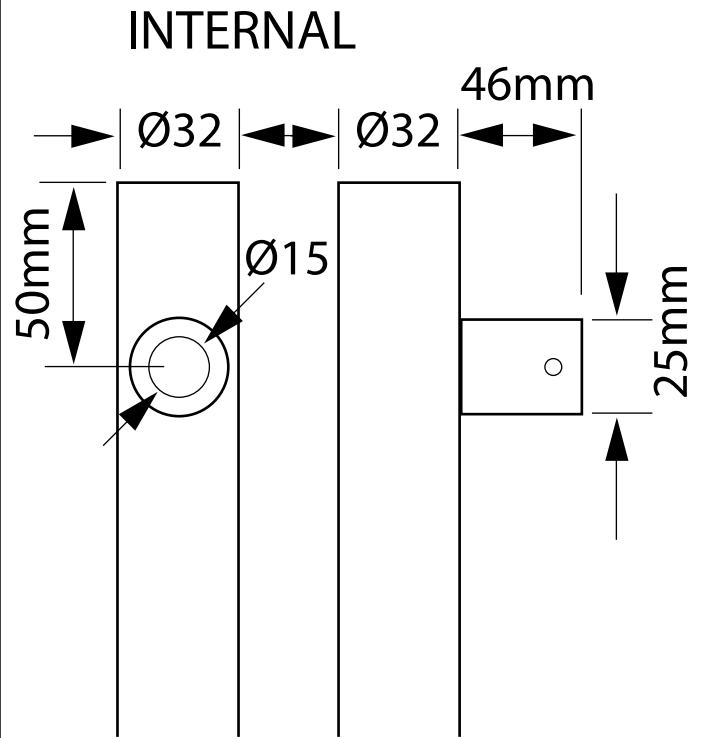
400mm Inline Round

Back to back

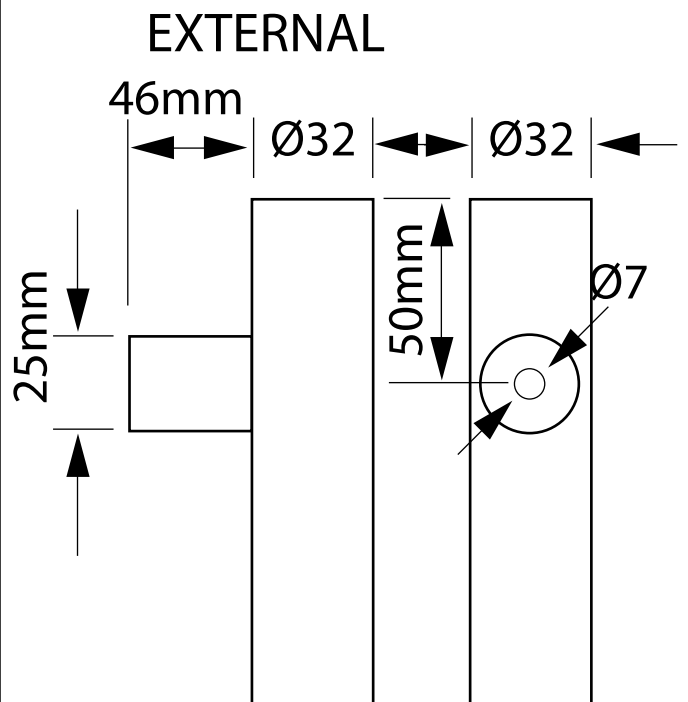
Weight 0.875kg



SCALE 1:3



SCALE 1:2



SCALE 1:2



01303 267805

orders@dualhomeimprovements.com

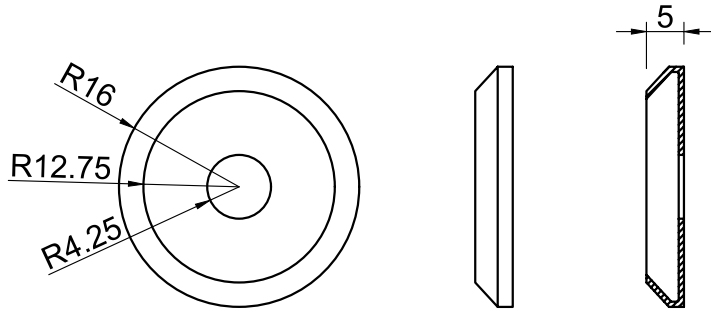
400mm Inline Round

Back to back

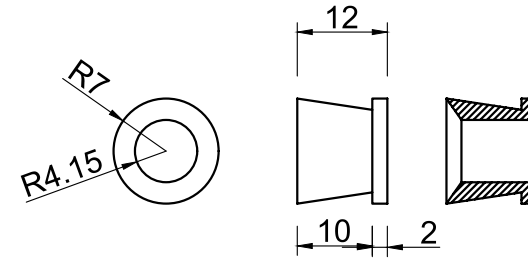
Weight 0.875kg

**M001911**

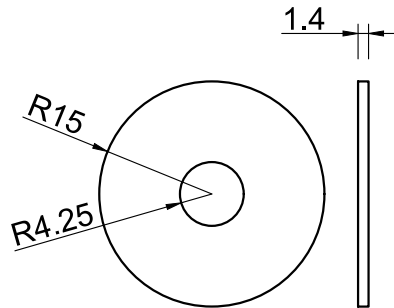
**Item 3 Bevel Ring**



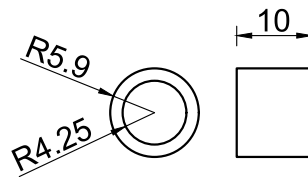
**Item 4 Inline Locking Nut**



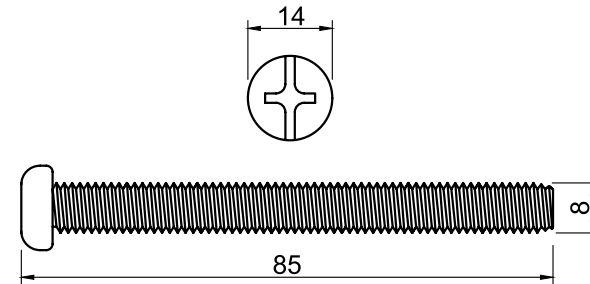
**Item 5 Gasket**



**Item 6 Spacer Ring**



**Item 7 Inline Handle Fixing Screws**



**Scale 1:1**



01303 267805  
orders@dualhomeimprovements.com

400mm Inline Round

Back to back

Weight 0.875kg

**M001911**